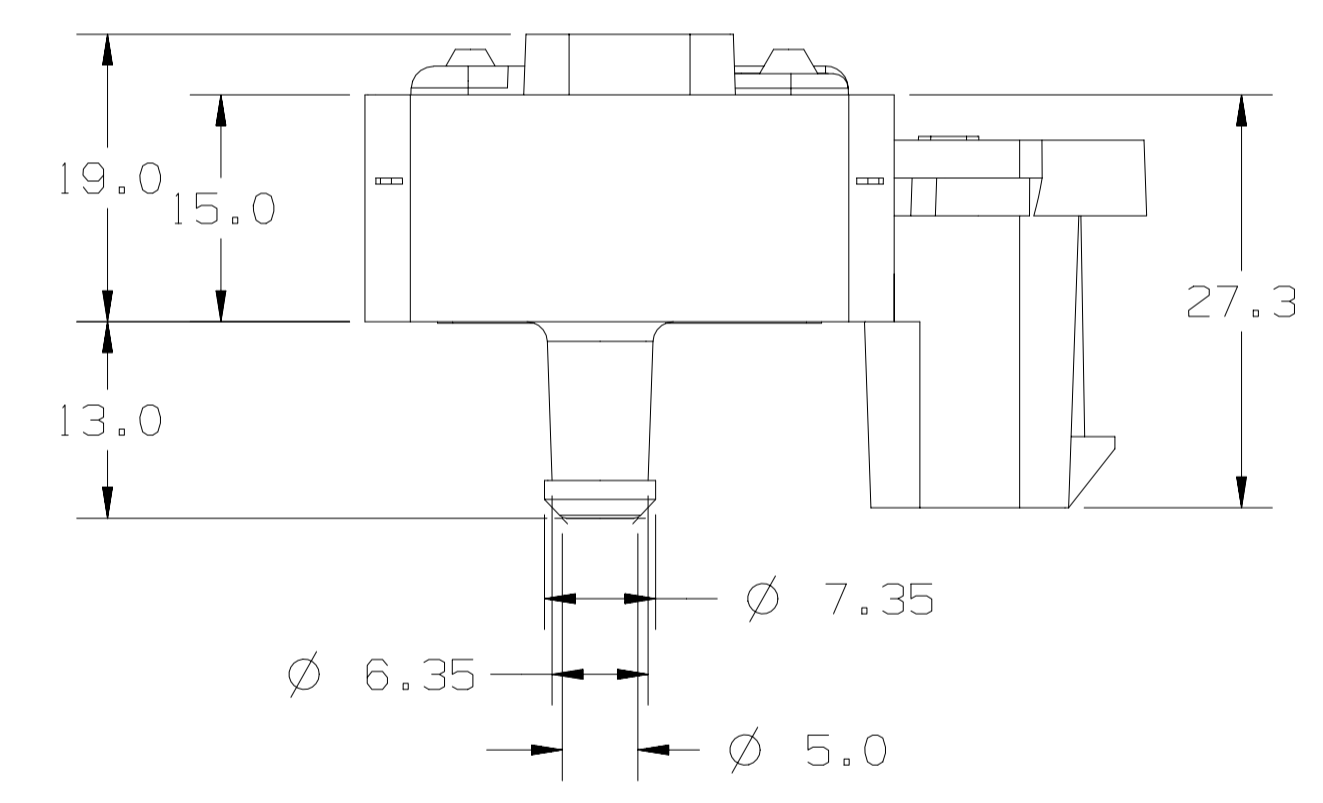
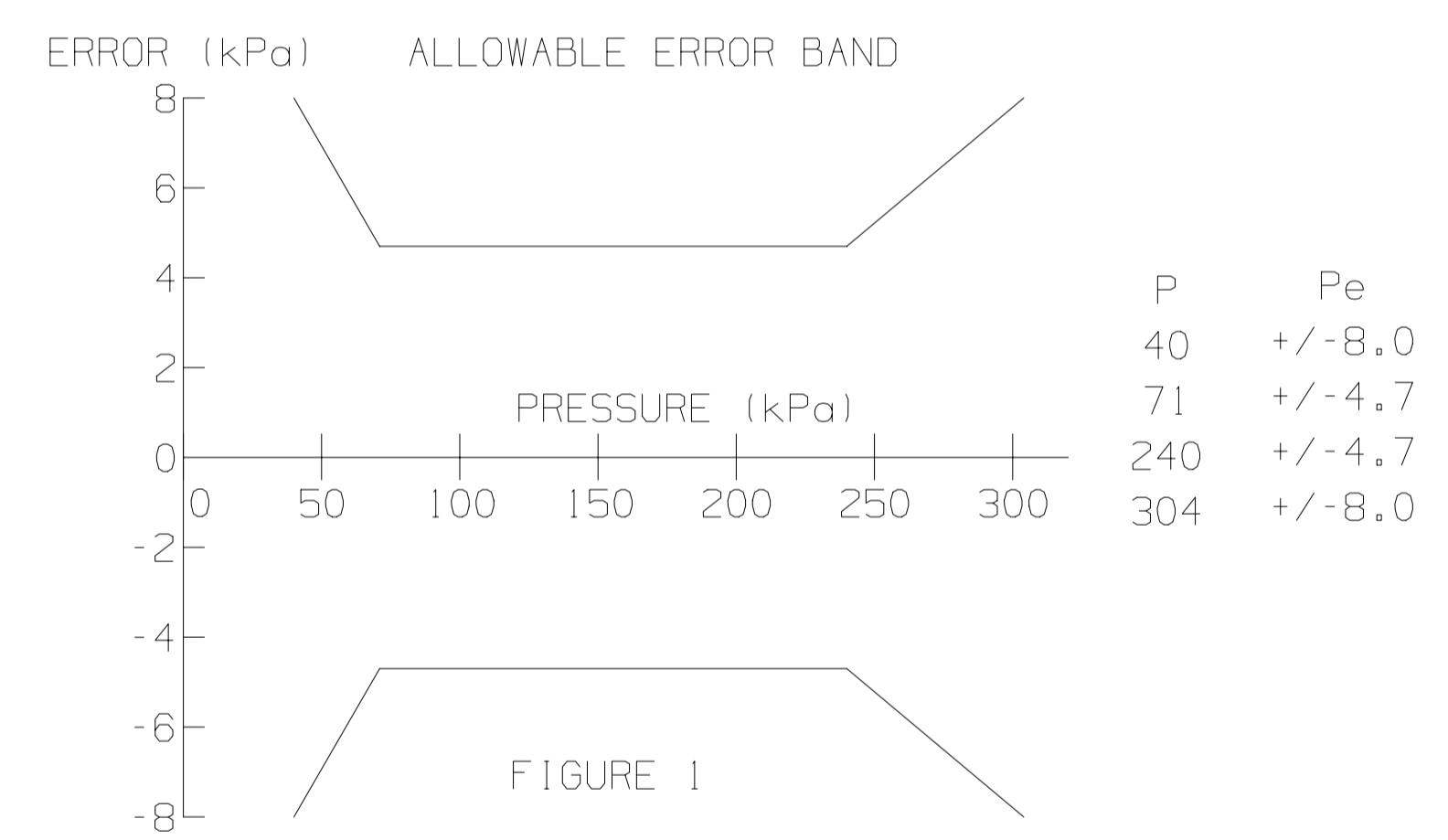
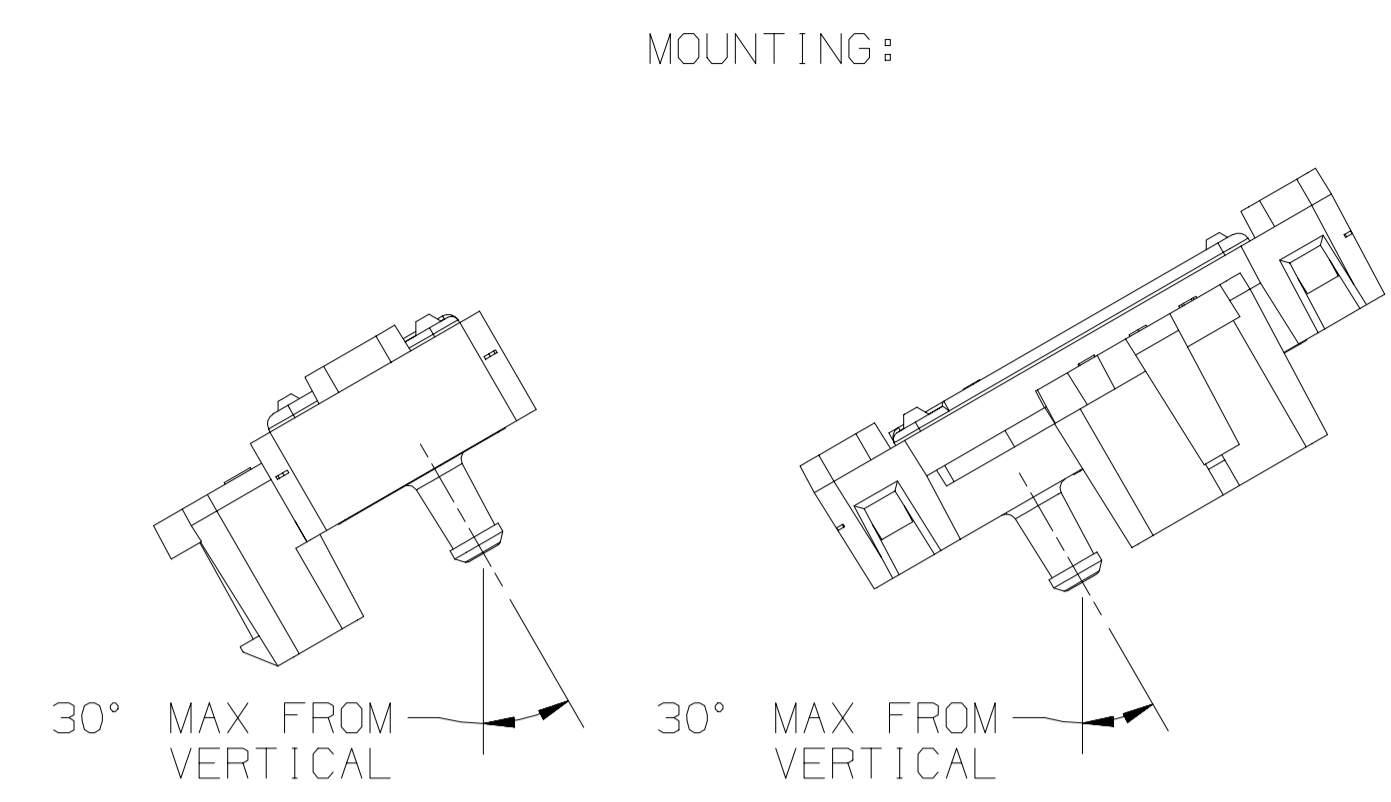
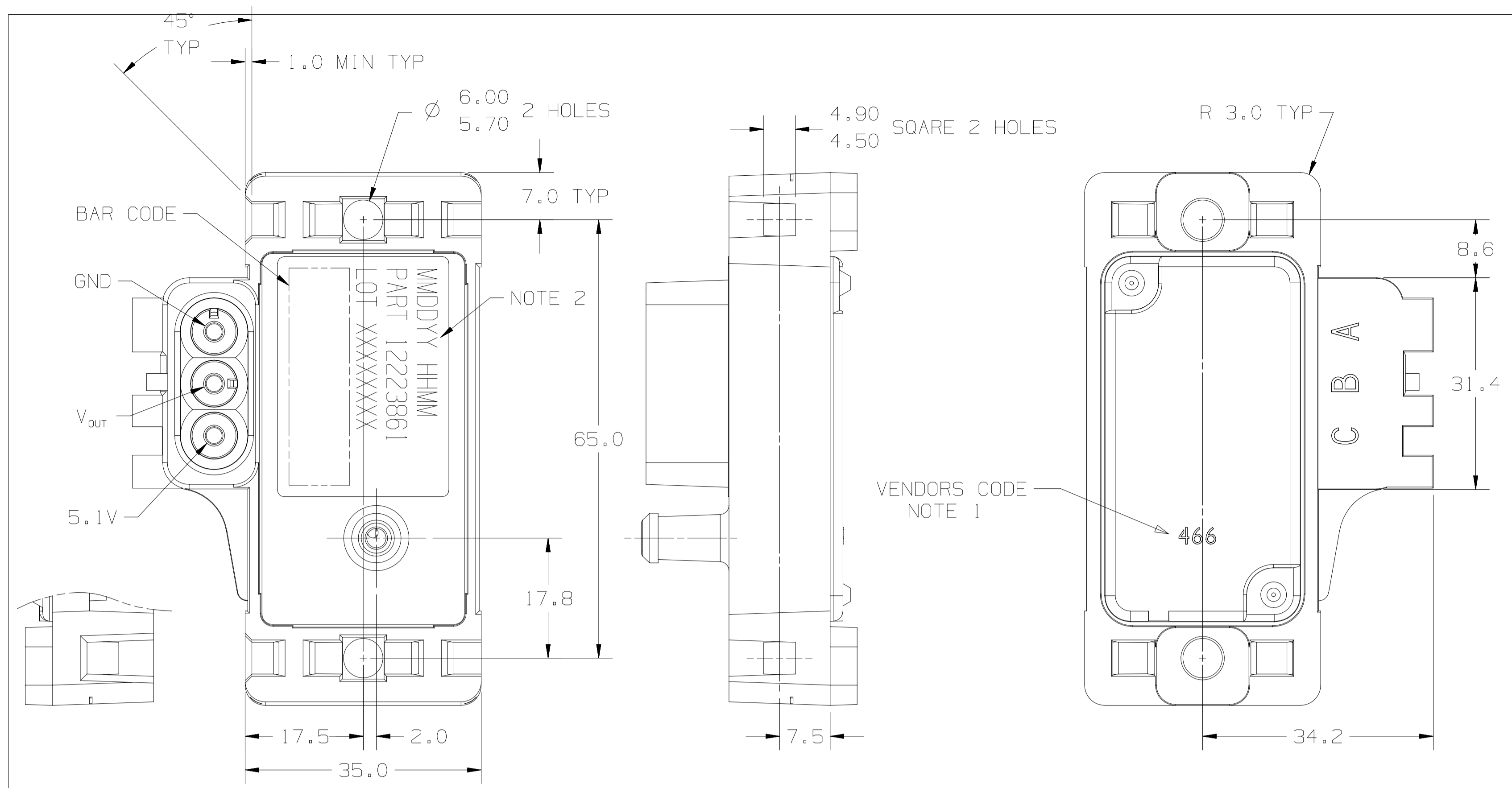
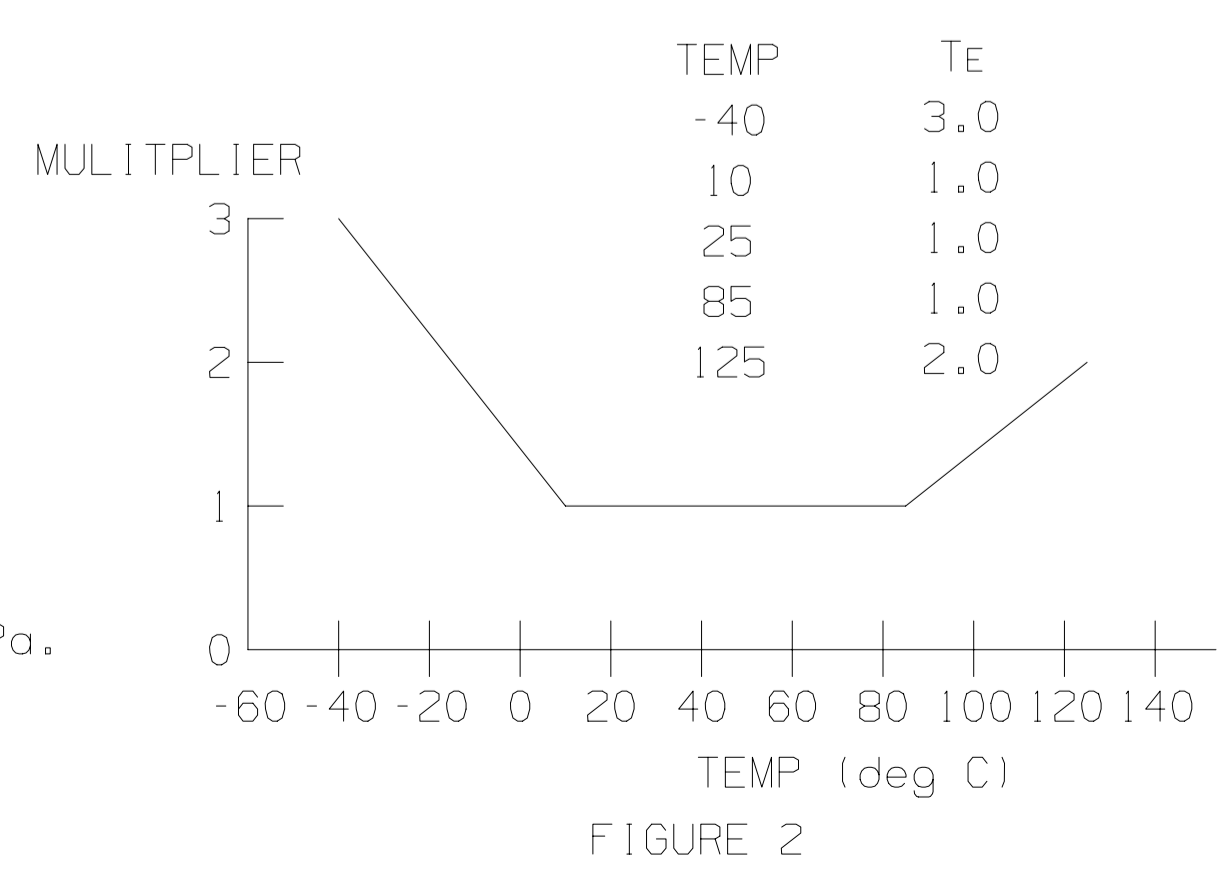


DATE	SYM	REVISION RECORD	AUTHORITY	CUST AUTHORITY	DR.	CK.	APVD
19AP02	A	RELEASED-PRODUCTION PER CN20017	164181	-	-	-	-



ERROR BAND MODIFICATION vs TEMP (deg C)



- ORIENTATION OF VENDOR CODE IS OPTIONAL.
- EXAMPLE BAR CODE LABEL ATTACHED IN AREA SHOWN. LABEL WILL INCLUDE PART NUMBER AND TRACEABILITY INFORMATION.
- MUST MATE WITH PACKARD CONNECTOR 12103771.
- RECOMMENDED MOUNTING PROCEDURE FOR THE PRESSURE SENSOR IS TO HAVE THE PORT POINTED DOWN WITHIN 30° OF VERTICAL. THIS WILL INSURE THAT ANY CONDENSATE OR LIQUID IN THE LINE WILL DRAIN AWAY FROM THE SENSOR CELL. THE PRESSURE SENSOR SHOULD BE MOUNTED HIGHER THAN THE VACUUM SOURCE TO ASSIST IN DRAINING THE LINE. MAXIMUM MOUNTING TORQUE 3.5N-m.
- ELECTRIC OUTPUT:
 - OUTPUT OF MODULE MUST BE IN ACCORDANCE WITH THE TRANSFER EQUATION WITHIN RATING SPECIFICATION
 $V_o = V_s (0.00318 P - 0.00353)$.
 - ERROR FROM THE EQUATION MUST BE WITHIN THE FOLLOWING LIMIT ($V_o = V_o \pm V_e$): $V = V_s T_e$
 $P_e (0.00318) T_e$ & P_e OBTAINED FROM FIG 1 & 2.
 - WITH PART AT 25°C AND SUPPLY VOLTAGE AT 5.1V THE OUTPUT VOLTAGE (V_{out}) SHALL BE:

P	V _{out} MIN	V _{out} MAX
40	0.501	0.761
71	1.058	1.210
240	3.816	3.952
304	4.784	5.044
 - THE LOAD IMPEDENCE SEEN BY SENSOR SHALL BE 51kΩm.
 - V_s SHALL BE ISOLATED & FILTERED SUCH THAT INPUT NOISE IS NO GREATER THAN 10mV P-P.
- PART WEIGHT: 57.0 gr ±10%

RATINGS

PARAMETER	SYMBOL	VALUE	UNITS
OPERATING PRESSURE	P	40 TO 304	kPa
OPERATING VOLTAGE	V _s	5.1 +/- 0.36	V
OPERATING TEMPERATURE	T _A	-40 TO 125	°C
STORAGE TEMPERATURE	T _{stg}	-50 TO 150	°C
OVER PRESSURE	P _{ovr}	2* MAX P	kPa
CURRENT DRAIN	I _{sMAX}	20	mA
PRESSURE RESPONSE TIME *	T _p	6	ms
POWER UP RESPONSE TIME **	T _v	6.25	ms
OUTPUT NOISE ***	N	10	mV P-P
LEAK RATE (@ ANY OP. PRES.)	Plk	1.7 IN 30s	kPa

* 90% OF STEADY STATE RESPONSE TO CHANGE TO ANY OPERATING PRESSURE FROM ANY OTHER OPERATING PRESSURE.
** APPLICATION OF 4.74V PART MUST STABILIZE WITHIN +/-0.2 kPa.
*** OUTPUT NOISE DEFINED AS AC VOLTAGE > 10 KHZ.

SCALE 2/1 DIST -

DELPHI
Automotive Systems

METRIC \leftarrow mm \rightarrow

UNLESS OTHERWISE SPECIFIED; ALL DIMENSIONS ARE IN MILLIMETERS, AND THE TOLERANCES ARE:
ONE PLACE DECIMALS ± 0.4
TWO PLACE DECIMALS ± 0.25
ANGLES ± -
DRAFT ANGLES ± -
SHARP CORNERS ± -

GD&T SEE ASME Y14.5M-94 FOR GD&T INTERPRETATION CHANGES ALLOWED ONLY BY PDM DOCUMENT PROCEDURES DO NOT SCALE THIRD ANGLE PROJECTION

PDM
UG

FIRST USED 12223861	DES DEREK A. DELRYMPLE	19AP02
REFERENCE GEN 1.5	APR R.LONGSTREET	19AP02
EXP MODEL -	APR J.SCHNEIDER	19AP02
EXP NUM 160068350	APR N/A	
	APR N/A	
	APR N/A	

RESTRICTED AND REPORTABLE CHEMICALS PER GW3059

KEY PRODUCT CHARACTERISTICS	
SAFETY/COMPLIANCE	FIT/FUNCTION
TOTAL ON DRAWING	0
LAST NUMBER USED	0

MATERIAL SPEC	-
DRAWING NAME	OUTLINE-P/SNSR
PART NUMBER	12223861
SHT	1 OF 1

DELPHI DELCO ELECTRONICS SYSTEMS
Division of DELPHI AUTOMOTIVE